



ACCURATE & EASY TO USE

Discover a wide selections of our
sound measurement equipments according to your
sound measurement needs

PQV3050

TRI-AXIAL
ACCELEROMETERS

www.placidinstruments.com



PLACID INSTRUMENTS BV

Newtonlaan 115 Office No. 2.21 3584 BH UTRECHT, THE NETHERLANDS

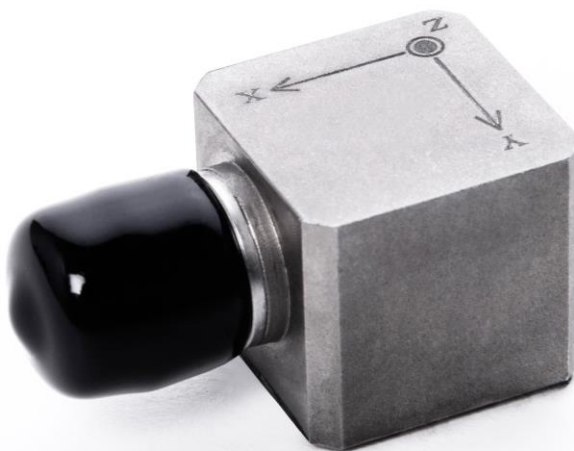
Phone +31 302106021

email info@placidinstruments.com

website www.placidinstruments.com

PLACID Accelerometers PQV3050

TRI-AXIAL
SIDE-EXIT CONNECTOR



Specification

Frequency Range

0.5 - 7000 Hz

Measurement Range

+/- 50 g

Sensitivity

100 mV/g

The PLACID PQV 3050 is a multi-purpose IEPE accelerometer.



PLACID INSTRUMENTS BV

Newtonlaan 115 Office No. 2.21 3584 BH UTRECHT, THE NETHERLANDS

Phone +31 302106021

email info@placidinstruments.com

website www.placidinstruments.com

Specification

Basics

The PLACID PQV 3050 is a multi-purpose IEPE accelerometer.

Connectivity

The PLACID PQV 3050 is an IEPE powered accelerometer. As the output impedance of our IEPE accelerometers is between 100-300 Ohm, no special low-noise cable is required.

Uses

The PLACID PQV 3050 is used for all forthcoming vibration measurements where triaxial measurement is required

Individual calibration

All PLACID accelerometers are being calibrated in a controlled laboratory environment using traceable calibration equipment complying with ISO17025 standards.

We recommend that all PLACID accelerometers are re-calibrated every year to guarantee an optimized usage.

PLACID Traceable Calibration is performed by our qualified staff and under controlled conditions according to the procedures and standards such as ISO17025.

Quality

All PLACID accelerometers are made of high-quality materials that will ensure long stability and durability, even in harsh condition.

PLACID offers 2 years warranty against defective materials and workmanship.

All our accelerometers are made from Stainless steel.



PLACID INSTRUMENTS BV

Newtonlaan 115 Office No. 2.21 3584 BH UTRECHT, THE NETHERLANDS

Phone +31 302106021

email info@placidinstruments.com

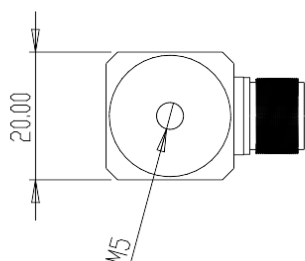
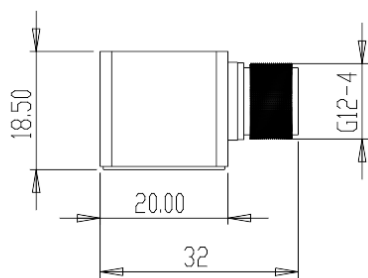
website www.placidinstruments.com

DATASHEET PLACID PQV 3050 ACCELEROMETER

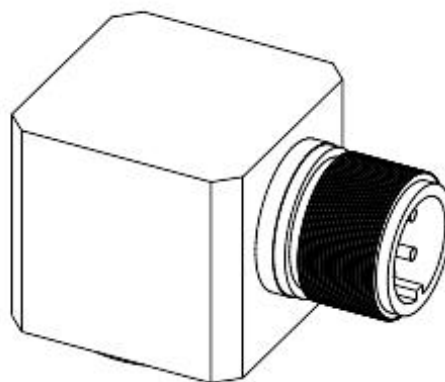


Class / type	Tri-axis
Measurement Range (g)	+/- 50
Frequency range (Hz)	0.5 – 7000 Hz
Sensitivity	100 mV/g
Temperature range (Celsius)	-40 - +125
Transverse Sensitivity	≤5%
Excitation Voltage (V)	+12 - +24 (IEPE)
Housing Material	Stainless Steel
Cable Type	M5

Structural Dimension



Unit: **mm**





Placid Instruments BV

Newtonlaan 115, Office No. 2.21

3584 BH UTRECHT

THE NETHERLANDS

Phone landline : +31 302106021

Email : info@placidinstruments.com

www.placidinstruments.com

ASK US!
HERE

